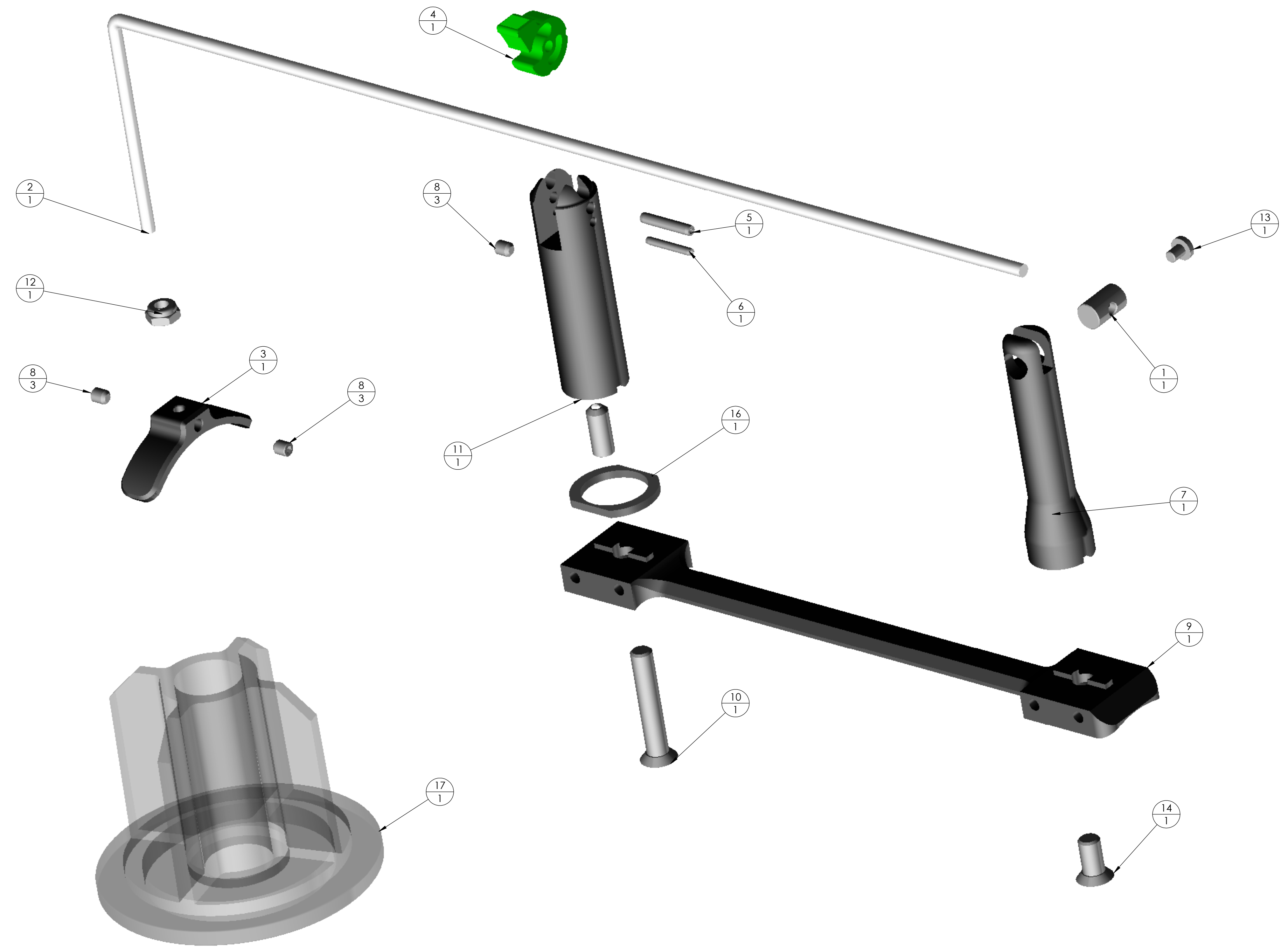


ITEM NO.	PART NUMBER	DESCRIPTION	QTY.
1	AT-185	BAND POST AXEL.	1
2	AT - 146E	TAPE ROLL KEEPER	1
3	AT-180	TAPE KEEPER FOOT.	1
4	AT-179	RADIAL LOCK.	1
5	SHW-183	1/8 X 5/8 SPLIT PIN.	1
6	SHW-182	3/32 X 5/8 SPLIT PIN.	1
7	AT- 181	BAND POST	1
8	SHW-57	8-32x3/16 ALLEN SET SCREW	3
9	AT-184	BAND POST BASE.	1
10	SHW-181	1/4-20 X 1 1/2 SOCKET FLAT HEAD SCREW.	1
11	AT-182	TAPE SPOOL POST.	1
12	SHW-32	8-32 THIN NYLOCK	1
13	SHW-131	6-32 x 3/16 LG BIND HEAD.	1
14	SHW-175	1/4-20 X 1/2 SOCKET FLAT HEAD SCREW.	1
15	SHW-178	BALL PLUNGER.	1
16	AT-189	BAND POST WASHER.	1
17	AT - 151	TAPE SPOOL	1



NOTE: AT-151 NOT INCLUDED IN PS-35 KIT.

PROPRIETARY AND CONFIDENTIAL
 THE INFORMATION CONTAINED IN THIS DRAWING IS THE SOLE PROPERTY OF NorthStar Taping Tools Ltd. ANY REPRODUCTION IN PART OR AS A WHOLE WITHOUT THE WRITTEN PERMISSION OF NorthStar Taping Tools Ltd. IS PROHIBITED.

TITLE:	ELITE™ TAPE KEEPER ASMY.	SIZE:	D	REV:	A
		SCALE: 1:2	WEIGHT:	SHEET 1 OF 1	