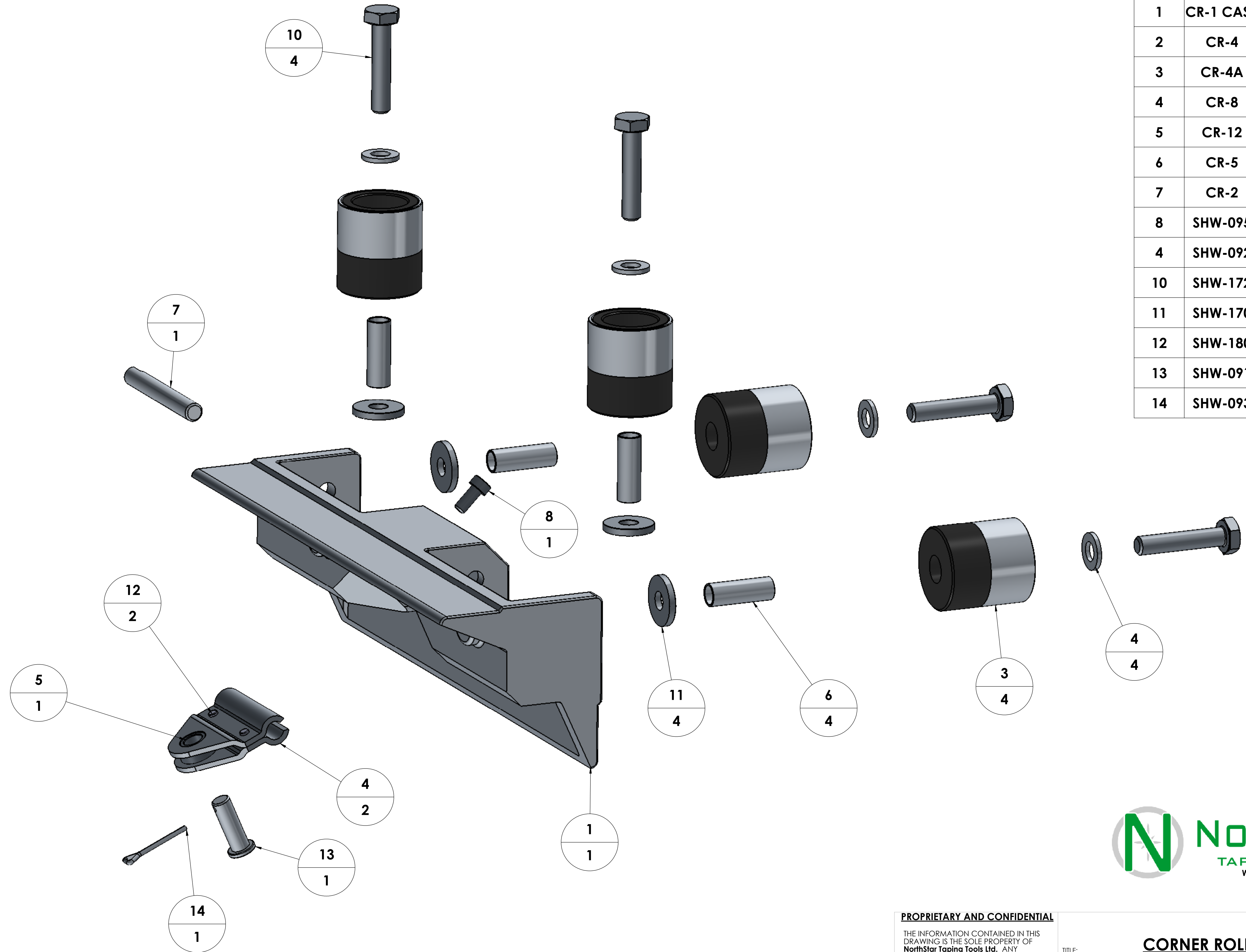


**NOTE: CR-8, SHW-180 & CR-12 ONLY AVAILBLE AS CR-8 ASMY.
CR-4 & CR-4A ONLY AVAILBLE AS CR-4 ASMY.**

| ITEM NO. | PART NUMBER | DESCRIPTION | QT Y. |
|----------|-------------|----------------------------------|-------|
| 1 | CR-1 CAST | ROLLER HEAD | 1 |
| 2 | CR-4 | WHEEL ASMY | 4 |
| 3 | CR-4A | WHEEL ASMY | 4 |
| 4 | CR-8 | HINGE ASMY | 2 |
| 5 | CR-12 | HINGE BUSHING | 1 |
| 6 | CR-5 | ROLLER BUSHING | 4 |
| 7 | CR-2 | HINGE PIN | 1 |
| 8 | SHW-095 | 8-32x3/8 LG HEX SOCKET CAP SCREW | 1 |
| 4 | SHW-092 | 1/4 FLAT WASHER | 4 |
| 10 | SHW-172 | 1/4-20X1-1/4 HEX BOLT | 4 |
| 11 | SHW-170 | CUSTOM FLAT WASHER | 4 |
| 12 | SHW-180 | SOLID RIVET | 2 |
| 13 | SHW-091 | 1/4 DIAx3/4 LG CLEVIS PIN | 1 |
| 14 | SHW-093 | 5/64x3/4 COTTER PIN | 1 |



PROPRIETARY AND CONFIDENTIAL
THE INFORMATION CONTAINED IN THIS DRAWING IS THE SOLE PROPERTY OF NorthStar Taping Tools Ltd. ANY REPRODUCTION IN PART OR AS A WHOLE WITHOUT THE WRITTEN PERMISSION OF NorthStar Taping Tools Ltd. IS PROHIBITED.

| | | | |
|--------|-------------------------------|--------------------|---------------|
| TITLE: | CORNER ROLLER STANDARD | SIZE: D | REV: B |
| | | SCALE: 1:1 WEIGHT: | SHEET 1 OF 1 |