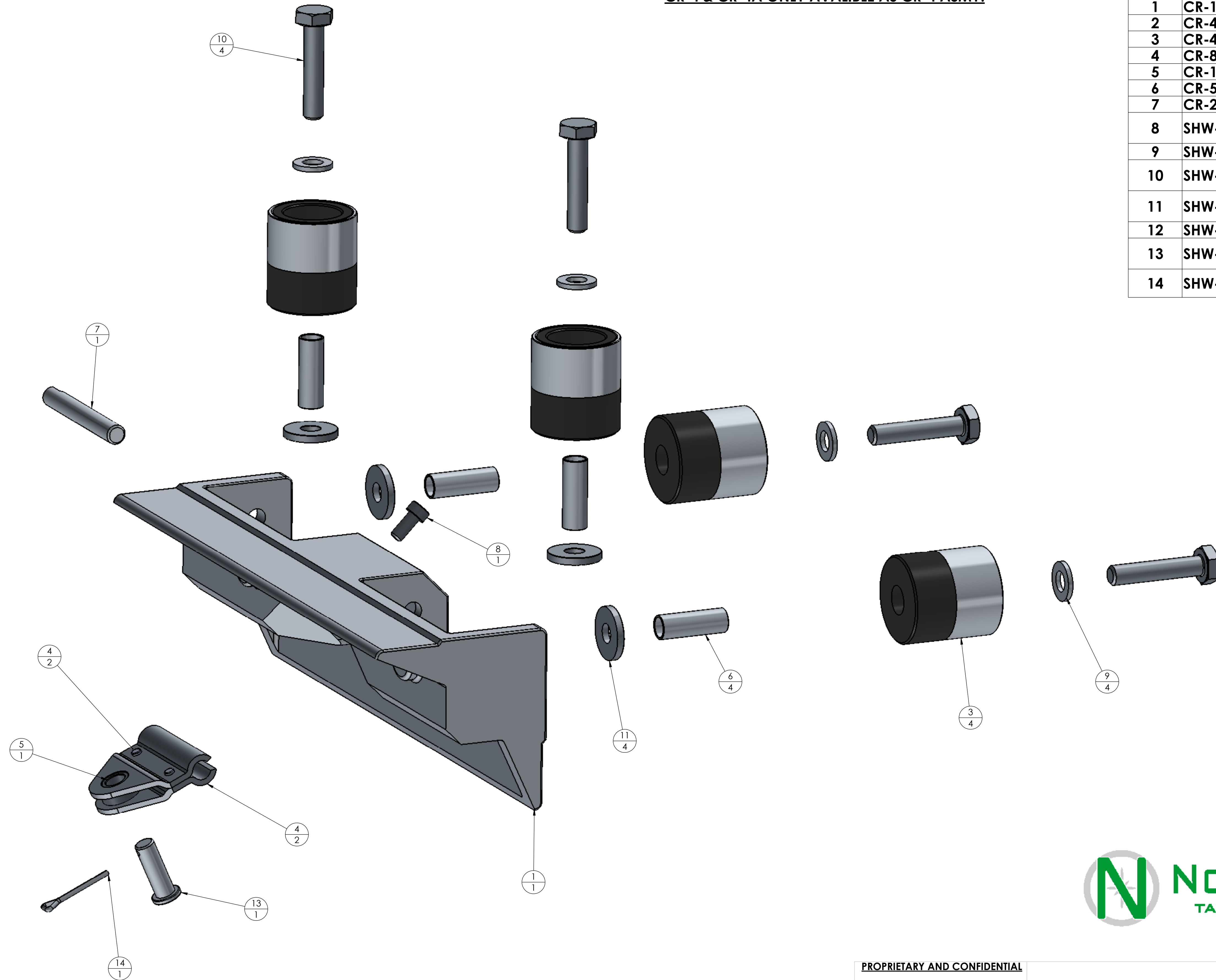


**NOTE: CR-8, SHW-180 & CR-12 ONLY AVAILBLE AS CR-8 ASMY.  
CR-4 & CR-4A ONLY AVAILBLE AS CR-4 ASMY.**

ITEM NO.	PART NUMBER	DESCRIPTION	QTY.
1	CR-1 CAST	ROLLER HEAD	1
2	CR-4	WHEEL ASMY	4
3	CR-4A	WHEEL ASMY	4
4	CR-8	HINGE ASMY	2
5	CR-12	HINGE BUSHING	1
6	CR-5	ROLLER BUSHING	4
7	CR-2	HINGE PIN	1
8	SHW-095	8-32x3/8 LG HEX SOCKET CAP SCREW	1
9	SHW-092	1/4 FLAT WASHER	4
10	SHW-172	1/4-20X1-1/4 HEX BOLT	4
11	SHW-170	.750X.254X.0936 FLAT WASHER	4
12	SHW-180	SOLID RIVET	2
13	SHW-091	1/4 DIAx3/4 LG CLEVIS PIN	1
14	SHW-093	5/64x3/4 COTTER PIN	1



**PROPRIETARY AND CONFIDENTIAL**

THE INFORMATION CONTAINED IN THIS DRAWING IS THE SOLE PROPERTY OF NorthStar Taping Tools Ltd. ANY REPRODUCTION IN PART OR AS A WHOLE WITHOUT THE WRITTEN PERMISSION OF NorthStar Taping Tools Ltd. IS PROHIBITED.

TITLE:

**CORNER ROLLER  
STANDARD**

SIZE  
**D**

**NS015**

REV  
**B**

SCALE: 1:1 WEIGHT: SHEET 1 OF 1