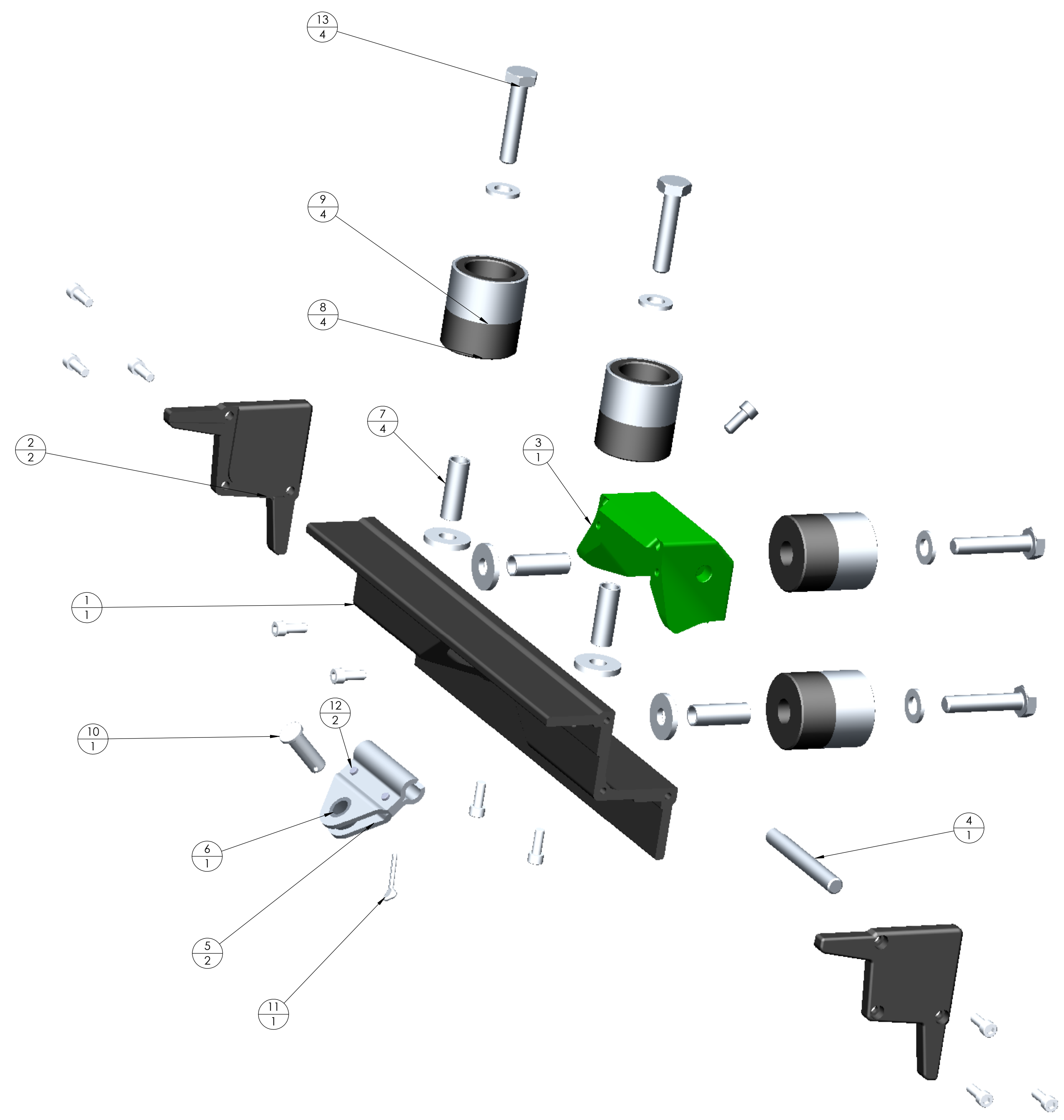


**NOTE: CR-8, SHW-180 & CR-12 ONLY AVAILABLE AS CR-8 ASMY.
CR-4 & CR-4A ONLY AVAILABLE AS CR-4 ASMY.**



ITEM NO.	PART NUMBER	DESCRIPTION	QTY.
1	CR-14	BODY	1
2	CR-13	END PLATES	2
3	CR-15	ADAPTER	1
4	CR-2	HINGE PIN	1
5	CR-8	HINGE ASMY	2
6	CR-12	HINGE BUSHING	1
7	CR-5	ROLLER BUSHING	4
8	CR-4	WHEEL ASMY	4
9	CR-4A	WHEEL ASMY	4
10	SHW-091	1/4 DIAx3/4 LG CLEVIS PIN	1
11	SHW-093	5/64x3/4 COTTER PIN	1
12	SHW-180	SOLID RIVET	2
13	SHW-172	1/4-20X1-1/4 HEX BOLT	4
14	SHW-059	6-32x3/8 LG HEX SOCKET CAP SCREW	10
15	SHW-170	.750X.254X.0936 FLAT WASHER	4
16	SHW-092	1/4 FLAT WASHER	4
17	SHW-095	8-32x3/8 LG HEX SOCKET CAP SCREW	1



PROPRIETARY AND CONFIDENTIAL
THE INFORMATION CONTAINED IN THIS DRAWING IS THE SOLE PROPERTY OF NorthStar Taping Tools Ltd. ANY REPRODUCTION IN PART OR AS A WHOLE WITHOUT THE WRITTEN PERMISSION OF NorthStar Taping Tools Ltd. IS PROHIBITED.

TITLE:	CORNER ROLLER ELITE™	SIZE: D	REV: B
		SCALE: 1:4 WEIGHT:	SHEET 1 OF 1