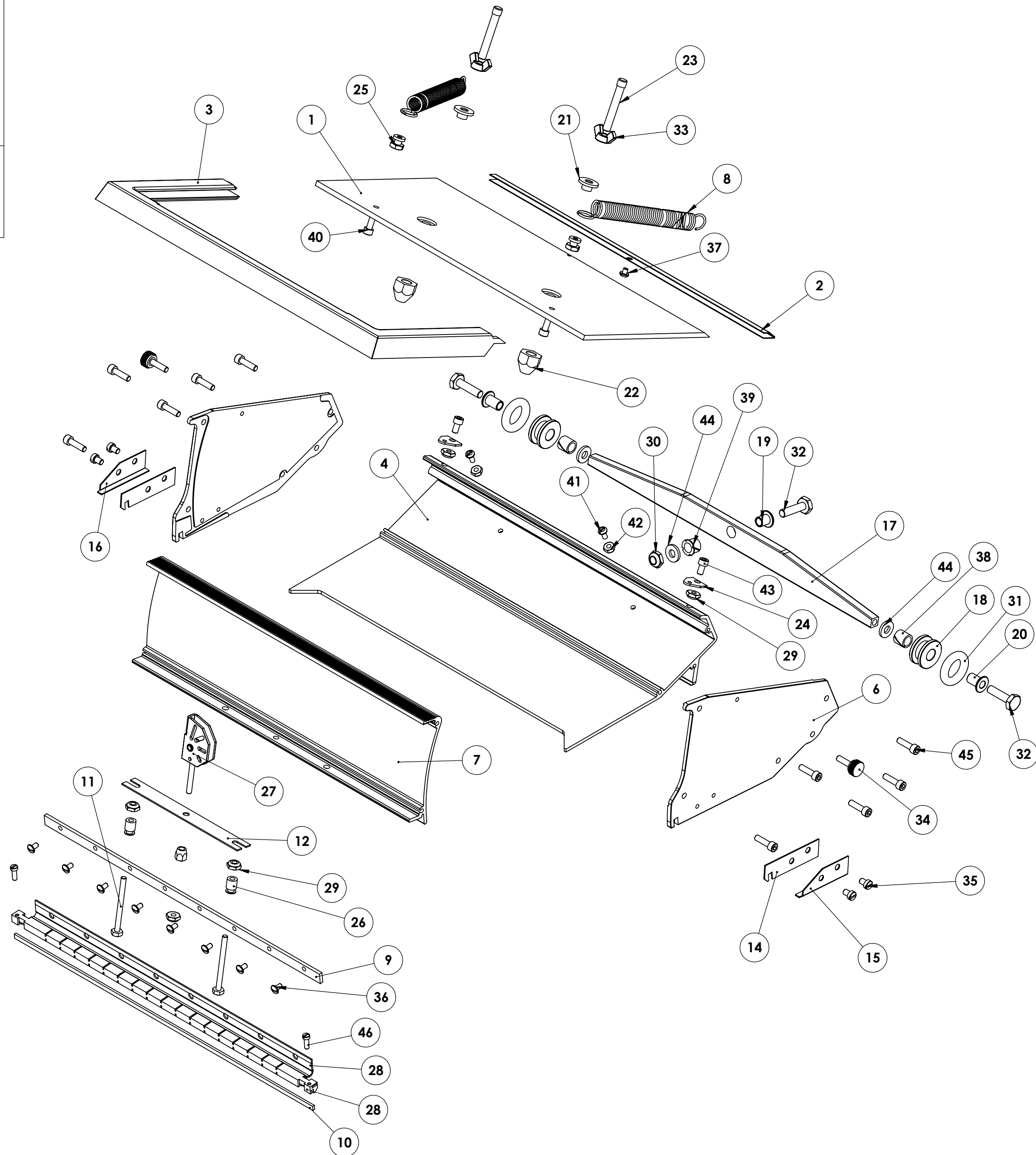


THE INFORMATION CONTAINED IN THIS DRAWING IS THE SOLE PROPERTY OF NorthStar Tools,
4381 Dawson Street, Burnaby, BC V5C 4B4. ANY REPRODUCTION IN PART OR AS A WHOLE WITHOUT
THE WRITTEN PERMISSION OF NorthStar Tools IS PROHIBITED.



ITEM NO.	PART NUMBER-NS011	PART NUMBER-NS012	PART NUMBER-NS013	DESCRIPTION	QTY.
1	FFB-01-08	FFB-01-10	FFB-01-12	PRESSURE PLATE	1
2	FFB-02-08	FFB-02-10	FFB-02-12	SHIM	1
3	FFB-03-08	FFB-03-10	FFB-03-12	WIPER	1
4	FFB-04-08	FFB-04-10	FFB-04-12	BODY EXTRUSION	1
5	FFB-05	FFB-05	FFB-05	LEFT SIDE PLATE	1
6	FFB-06	FFB-06	FFB-06	RIGHT SIDE PLATE	1
7	FFB-07-08	FFB-07-10	FFB-07-12	ROLL FACE	1
8	HTB-09	HTB-09	HTB-09	DOOR SPRING	2
9	FFB-10-08	FFB-10-10	FFB-10-12	BLADE ADJUSTER CLAMP	1
10	FFB-12-08	FFB-12-10	FFB-12-12	TROWELLING BLADE	1
11	FFB-14	FFB-14	FFB-14	TROWELLING BAR HEX BOLT	2
12	FFB-15-10	FFB-15-10	FFB-15-12	CROWN SPRING	1
13	FFB-18	FFB-18	FFB-18	6-32 CROWN NUT	1
14	FFB-19	FFB-19	FFB-19	RETAINER CLIP	2
15	FFB-20	FFB-20	FFB-20	RIGHT SKID COVER	1
16	FFB-21	FFB-21	FFB-21	LEFT SKID COVER	1
17	FFB-22-08	FFB-22-10	FFB-22-12	AXLE	1
18	FFB-23	FFB-23	FFB-23	WHEEL	2
19	FFB-24	FFB-24	FFB-24	AXLE SHOULDER BUSHING	1
20	FFB-26	FFB-26	FFB-26	WHEEL SHOULDER BUSHING	2
21	FFB-27	FFB-27	FFB-27	THREADED WASHER	2
22	FFB-28	FFB-28	FFB-28	10-24 SPACER NUT	2
23	FFB-30	FFB-30	FFB-30	10-24 MOUNTING STUD	2
24	FFB-31	FFB-31	FFB-31	SPRING CLIP	2
25	FFB-34	FFB-34	FFB-34	6-32 HEX THUMB NUT	2
26	FFB-35	FFB-35	FFB-35	0.25 ODx0.128 IDx0.25 LG STANDOFF	2
27	FFB-36	FFB-36	FFB-36	CROWN DIAL ASSEMBLY	1
28	FFB-37-08	FFB-37-10	FFB-37-12	TROWELLING BAR ASSEMBLY	1
29	SHW-038	SHW-038	SHW-038	6-32 THIN NYLOCK	5
30	SHW-039	SHW-039	SHW-039	10-32 REGULAR NYLOCK	1
31	SHW-040	SHW-040	SHW-040	.50 IDx.90 OD O-RING	2
32	SHW-041	SHW-041	SHW-041	10-32x3/4 LG HEX HEAD BOLT	3
33	SHW-043	SHW-043	SHW-043	10-24 WING NUT	2
34	SHW-044	SHW-044	SHW-044	6-32x1/2 LG THUMB SCREW	2
35	SHW-045	SHW-045	SHW-045	6-32x3/16 LG SLOT FILLISTER HEAD SCREW	4
36	SHW-047	SHW-047	SHW-047	4-40x3/16 LG SLOT PAN HEAD SCREW	8
37	SHW-052	SHW-052	SHW-052	4-40x1/8 LG SLOT PAN HEAD SCREW	1
38	SHW-053	SHW-053	SHW-053	4L6-D NYLINER	2
39	SHW-054	SHW-054	SHW-054	4L4-F NYLINER	1
40	SHW-059	SHW-059	SHW-059	6-32x3/8 LG HEX SOCKET CAP SCREW	2
41	SHW-071	SHW-071	SHW-071	4-40x1/4 LG SLOT PAN HEAD SCREW	2
42	SHW-072	SHW-072	SHW-072	4-40 NYLOCK	2
43	SHW-073	SHW-073	SHW-073	6-32x1/4 LG HEX SOCKET CAP SCREW	2
44	SHW-074	SHW-074	SHW-074	#10 BRASS FLAT WASHER	3
45	SHW-044B	SHW-044B	SHW-044B	6-32x1/2 LG HEX SOCKET CAP SCREW	10
46	SHW-076	SHW-076	SHW-076	4-40x5/16 LG SLOT FILLISTER HEAD SCREW	2

UNLESS OTHERWISE SPECIFIED DIMENSIONS ARE IN INCHES TOLERANCES ARE: FRACTIONS DECIMALS ANGLES +/- 1/64" .XX+/- .01 +/- 0.5° .XXX+/- .001		CAD GENERATED DRAWING, DO NOT MANUALLY UPDATE		Toll Free: 1-866-379-0665 Fax: (604) 320-0667 www.NorthStarTool.com	
APPROVALS		DATE		 FAStar Box	
DRAWN C.R.K.		02-25-07			
CHECKED					
RESP ENG					
MATERIAL		FINISH		SIZE DWG. NO. NS011, NS012, NS013 REV A	
MFG ENG		QUAL ENG		SCALE CAD FILE SHEET 1 OF 1	
NEXT ASSY	USED ON	APPLICATION		DO NOT SCALE DRAWING	